

Aug. 17, 1937.

D. A. MEEKER

Des. 105,710

COFFEE MILL

Filed May 8, 1936

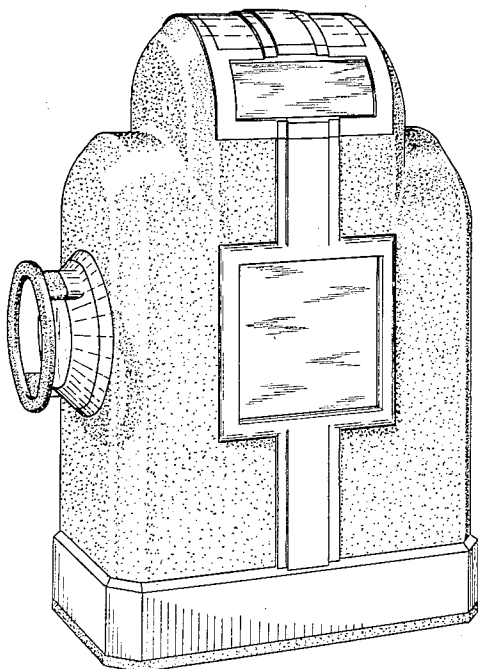


Fig. 1.

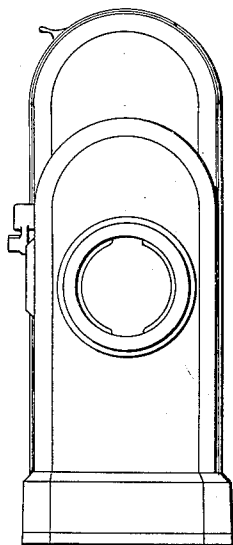


Fig. 2.

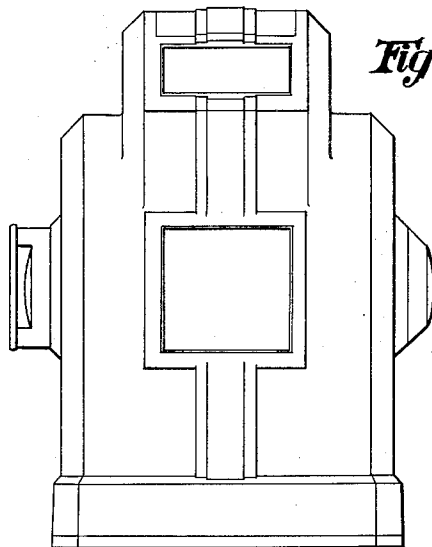


Fig. 3.

Inventor

David A. Meeker,

Maréchal & Moe

Attorneys

By

UNITED STATES PATENT OFFICE

105,710

DESIGN FOR A COFFEE MILL

David A. Meeker, Troy, Ohio, assignor to The
Hobart Manufacturing Company, Troy, Ohio,
a corporation of Ohio

Application May 8, 1936, Serial No. 62,547

Term of patent 14 years

To all whom it may concern:

Be it known that I, David A. Meeker, a citizen of the United States of America, residing at Troy, in the county of Miami and State of Ohio, have invented a new, original, and ornamental Design for a Coffee Mill, of which the following is a specification, reference being had to the accompanying drawing, forming a part thereof, and which discloses a preferred embodiment illustrated as comprising wall sections generally rectangular in shape and having their upper portions curved and having an upwardly projecting portion the surface of which is curved. In the drawing

Fig. 1 is a perspective view of a coffee mill embodying my new design;

Fig. 2 is an end elevational view on a smaller scale of a coffee mill embodying the design; and similarly

Fig. 3 is a side elevational view thereof.

The drawing, in Fig. 1, is shaded to indicate contrasting colors.

I claim:

The ornamental design for a coffee mill substantially as shown and described.

DAVID A. MEEKER.