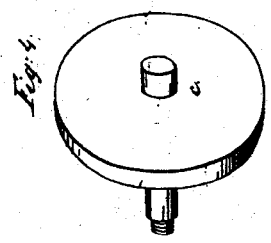
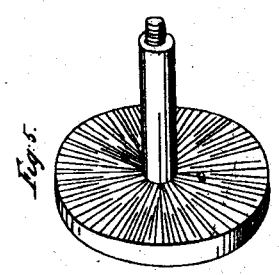
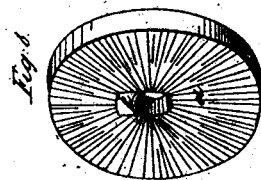
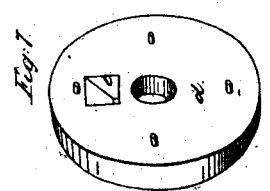
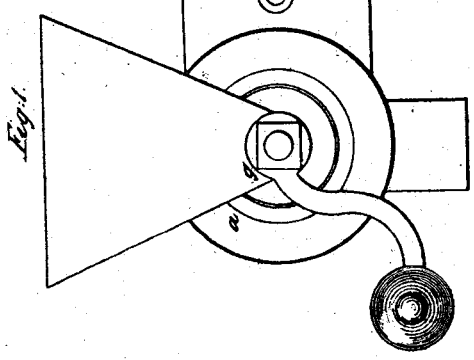
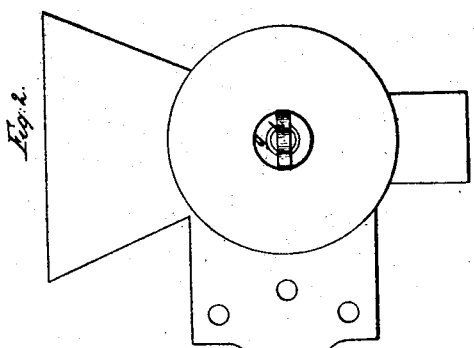
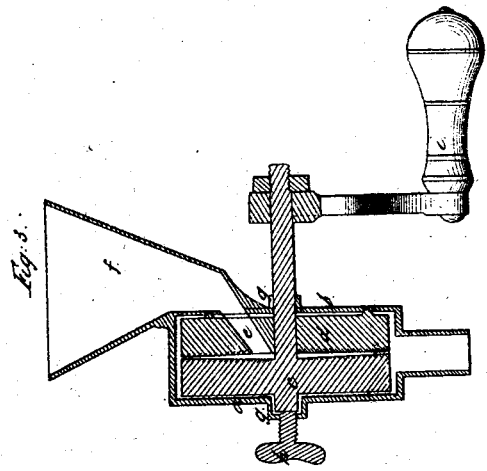


No Printed Specifications Available

198X

T. BRUFF.  
Coffee Mill.

Patented Jan. 8, 1798.



UNITED STATES PATENT OFFICE  
PTO - BOYERS, PA DUTY STATION

---

PAGE NOT AVAILABLE

PATENT NUMBER X198 FOR THE ISSUE DATE  
11811798 HAS BEEN SCANNED/LOADED, BUT WITH MISSING  
PAGE(S). UPON RECEIPT OF THE MISSING PAGE(S), THE ENTIRE  
DOCUMENT WILL BE RESCANNED. THIS NOTICE IS FOR THE MISSING  
PAGE CONTAINING:

Missing ALL TEXT

DATA CONVERSION OPERATION  
BOYERS, PA